

# GENIE 3D

INNOVATIVE IN-LIFT 3D WHEEL ALIGNER



World's 1<sup>st</sup> In-lift 3D Wheel Aligner  
with 2 cameras & smallest front wheel targets



**MANATEC**<sup>TM</sup>  
*Partners in Progress*

## GENIE



- ❖ Genie is a creatively designed module that houses Hi-definition cameras and electronics to capture images of the targets on wheels.
- ❖ Each Genie has 1 camera, making Genie 3D the only aligner in the world using just 2 cameras for an in-lift model.
- ❖ Camera not required to be removed & refitted every time
- ❖ Cost effective design

## MICRO TARGETS



- ❖ No electronics on wheels
- ❖ Less maintenance
- ❖ No Battery charge & discharge issues
- ❖ Safe & easy to handle



World's smallest target plates for front wheels.

- ❖ Extremely light & small
- ❖ 2 x size of a credit card
- ❖ Weighs only 1/2 Kg
- ❖ 70% lighter compared to other designs

## QUICK ALIGN PROGRAM



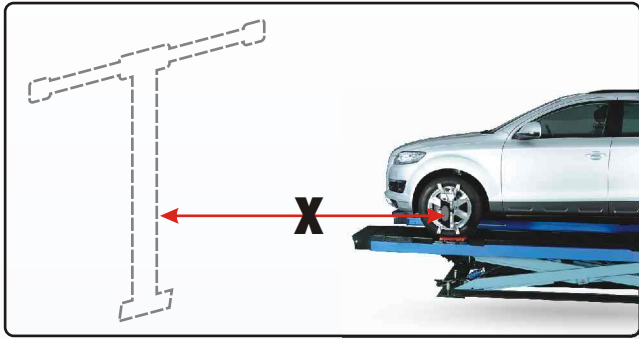
- ❖ Unique OEM wizard program helps to customize the screens
- ❖ Saves considerable time and increases the productivity of the alignment centre.

## LIFT LEVEL COMPENSATION

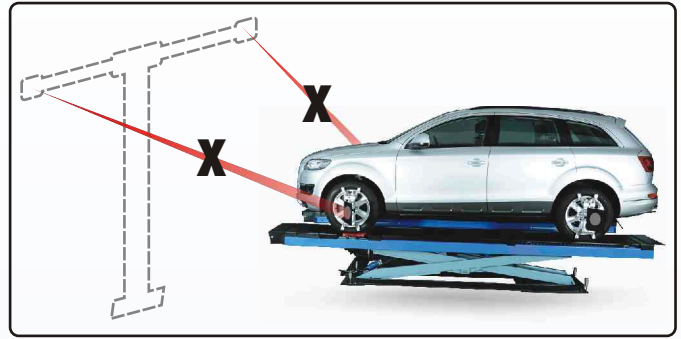


- ❖ Exclusive software takes care of automatic lift level compensation
- ❖ No additional sensors required

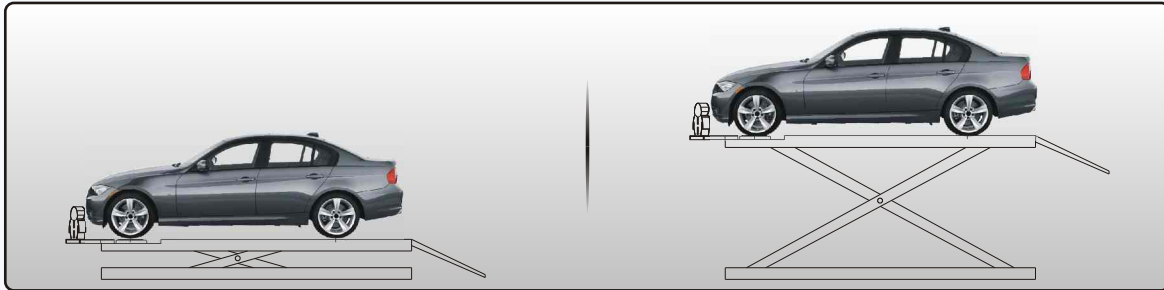
## GENIE - UNIQUE ADVANTAGES



No fixed beam / column in front of the lift



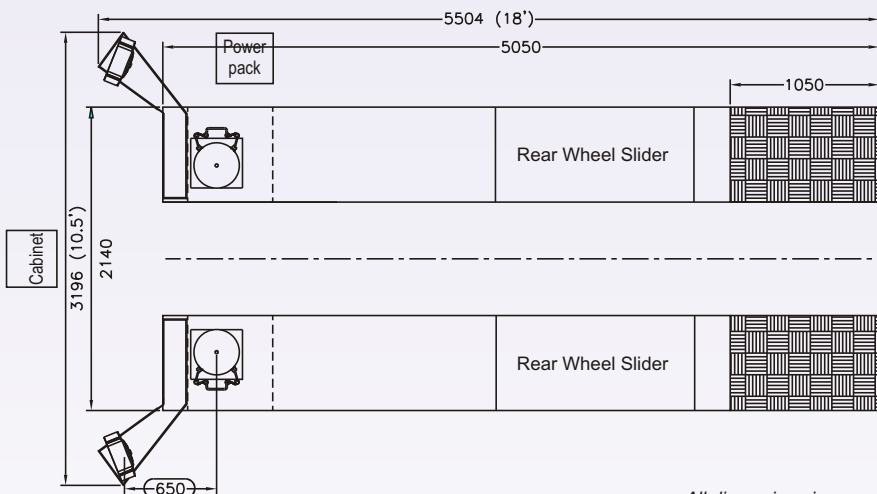
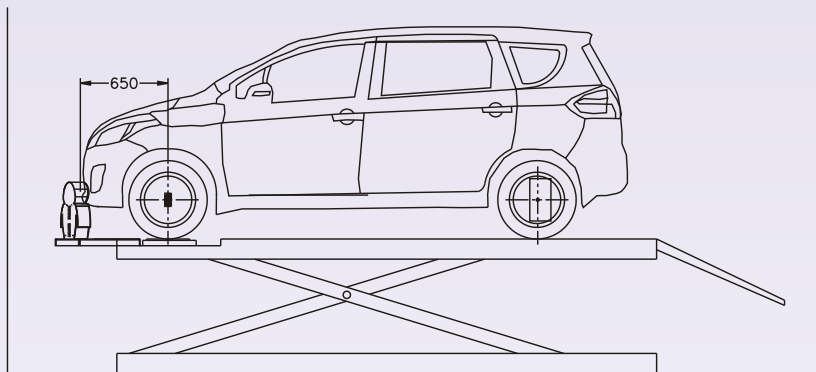
No obstruction of signals due to technician walking around



Measurement at floor level

Adjustment at any convenient height  
No height restrictions

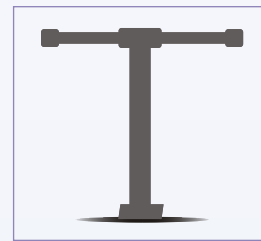
## GENIE - SPACE SAVER



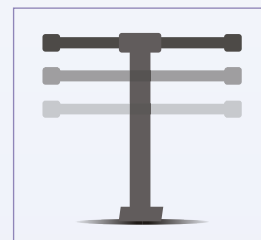
All dimensions in mm

- ❖ Requires the least space
- ❖ GENIE 3D can be installed in 10' x 20' space
- ❖ No need for minimum distance between Wall and the lift

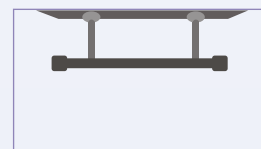
## NO COLUMNS!!



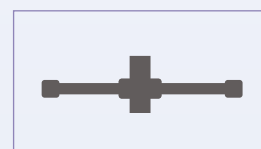
No vertical column



No motorized lifting



No ceiling mounting



No wall mounting

- ❖ Eliminates customised installations
- ❖ No vertical column & horizontal cross bar obstruction in front of lift

# GENIE ON ALIGNMENT LIFTS



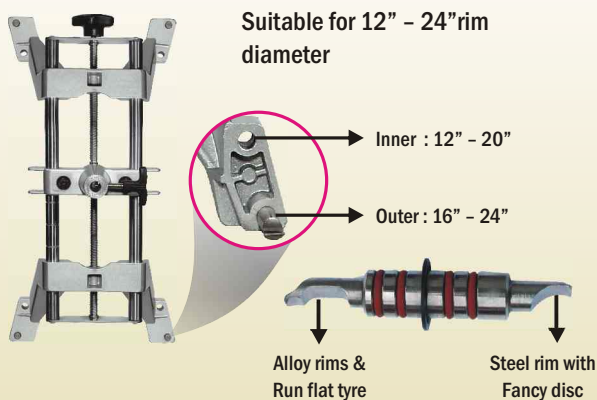
Genie 3D mounted on Wheel Alignment Scissor Lift

- ❖ 3.5 tons / 4.5 tons capacity
- ❖ In ground / On ground installation
- ❖ Double scissor lift / Centre jack option



Genie 3D is available with 4 Post lift

## Universal Wheel Bracket



Suitable for 12" - 24" rim diameter

Inner : 12" - 20"

Outer : 16" - 24"

Alloy rims &  
Run flat tyre

Steel rim with  
Fancy disc

## SMART CONTROL - Optional

### Tablet



User-friendly Wi-Fi enabled tablet device to display alignment results and to operate PC from the Alignment bay (Max 10 meters).

### Remote Control



Portable 2.4 GHz Wireless control device to operate the from the alignment bay (Max 10 meters).

## Technical Specifications

Measurement parameters	Range	Accuracy
Camber (Front / Rear)	± 15° 00'	± 00° 02'
Caster	± 28° 00'	± 00° 02'
Kingpin Inclination	± 25° 00'	± 00° 05'
Toe (Front / Rear)	± 20° 00'	± 00° 01'
Total Toe	± 40° 00'	± 00° 02'
Toe Out on Turns	± 25° 00'	± 00° 02'
Setback (Front / Rear)	± 25 mm	± 1 mm
Thrust angle	± 05° 00'	± 00° 01'
Runout	± 10° 00'	± 00° 02'
Included angle	± 40° 00'	± 00° 05'
Track width difference	± 300 mm	± 5 mm
Power supply	230V AC, 50Hz	
Power supply (lift)	380V AC, 3 phase, 50Hz	
Operating temperature	0° - 50°C	

## Standard Accessories

- Target Plates - 4 Nos.
- Wheel brackets (12" - 24") - 4 Nos.
- Rotary Plates - (2 ton) - 2 Nos.
- Steering Lock - 1 No.
- Brake Pedal Lock - 1 No.
- Wheel stoppers - 2 Nos.
- PC with LED Monitor, Keyboard & Mouse
- Align+ & Data Manager Software



## Optional Accessories

- Printer (Inkjet or Laser) - 1 No.
- Multimedia Speakers - 2 Nos.
- Wheel Bracket adapters (10"-26") - 16 Nos.
- Rim locking pins - 16 Nos.



**Corporate Office** : C-22 & 23, Industrial Estate, Thattanchavady, Puducherry - 605 009, India. ♦ Ph : 0413 - 2232900 ♦ Email : sales@manatec.in

**Factory** : Bahour Main Road, Karikalampakkam, Puducherry - 605 007, India. ♦ Ph : 0413 - 2664000 ♦ Fax : 0413 - 2664099

**Regd. Office** : 19A, Abhinav kailash (Ground Floor), Velacherry Road, Little Mount, Saidapet, Chennai - 600 015, India. ♦ Ph : 044 - 42036407

**Zonal Contact** : **North Zone** - 098716 93217 ♦ **Delhi & RJ** - 080105 33033 ♦ **UP & UT** - 093366 86853 ♦ **Punjab & CH** - 090234 29950

**East Zone** - 081003 22022 ♦ **WB & Odisha** - 081000 10771 ♦ **Bihar & JKN** - 093087 79360

**West Zone** - 076679 44777 ♦ **MH & Gujarat** - 093204 83072 ♦ **MP & CG** - 093296 93009

**South Zone** - 073051 33222 ♦ **Tamil Nadu** - 090256 45500 ♦ **Kerala** - 093871 65899 ♦ **Karnataka** - 093410 05801 ♦ **AP & Telangana** - 093472 67502

