

USER'S GUIDE

Installation & Operation
Instructions

Doppler Flow Switch

Model DFS 5.1

Manual Series 1.1

Note: This page has been left blank intentionally.

INDEX

INTRODUCTION 4

CONNECTIONS 5

ADJUSTMENTS 5

TRANSDUCER INSTALLATION..... 8

ENCLOSURE INSTALLATION..... 11

PRINCIPLE OF OPERATION 11

APPLICATIONS BACKGROUND..... 12

TYPICAL DFS 5.1 CONTROL APPLICATIONS 13

APPLICATIONS HOTLINE..... 14

PRODUCT RETURN PROCEDURE..... 14

SPECIFICATIONS..... 16

APPENDIX A - OPTIONS 17

APPENDIX B 19

IMPORTANT NOTE: This instrument is manufactured and calibrated to meet product specifications. Please read this manual carefully before installation and operation. Any unauthorized repairs or modifications may result in a suspension of the warranty.

Available in Adobe Acrobat pdf format

INTRODUCTION

DOPPLER FLOW SWITCH - Model DFS 5.1

The Greyline Doppler flow switch consists of an encapsulated ceramic transducer, a transmitter/receiver unit, electronic circuitry to separate the Doppler frequency from the transmitted frequency and an adjustable set-point relay. The relay also has hysteresis and delay-off capability.

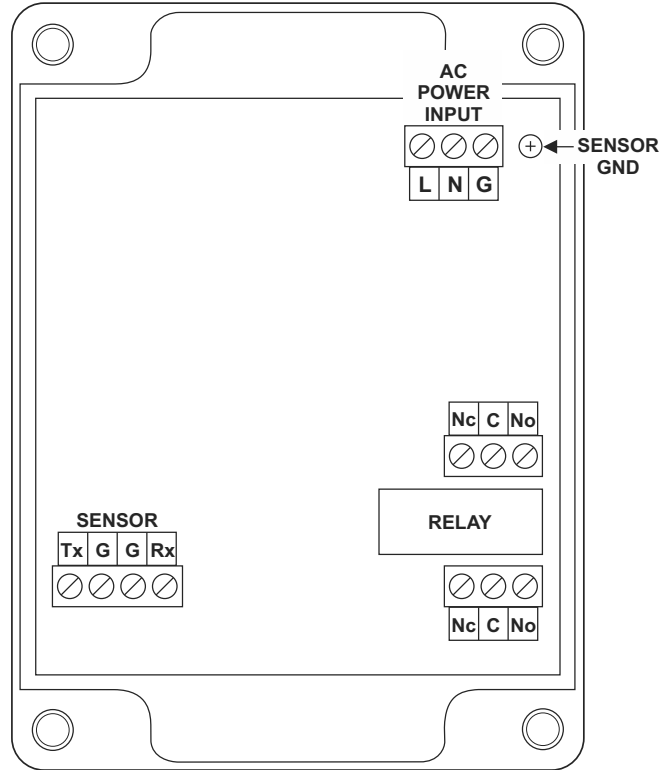
The DFS 5.1 Flow Switch is housed in a watertight NEMA4X fiberglass enclosure and requires a 115VAC power supply.

Flow measurement range is 0.25 to 10 ft/second (0.076 to 3 m/sec).

CONNECTIONS:

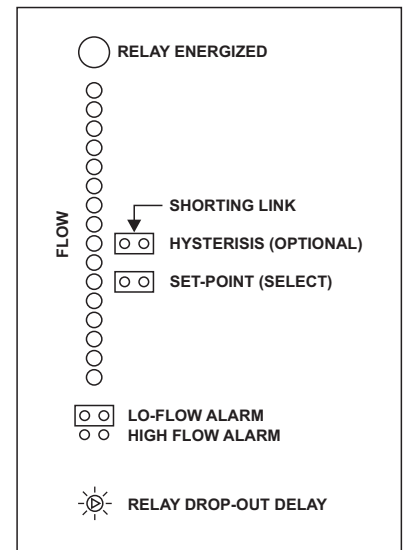
SENSOR: Connect one sensor coaxial cable to the RCVR and GND terminal block, and the second sensor coaxial cable to the TMTR and GND terminal block. TMTR and RCVR are the solid core of each coaxial cable, and GND is the stranded shield of each coaxial cable. (See page 17 for coaxial cable preparation).

POWER INPUT: Connect 115VAC 50/60Hz to the LINE, NEUTRAL and GROUND terminals. Do not apply power until sensor connections have been made.

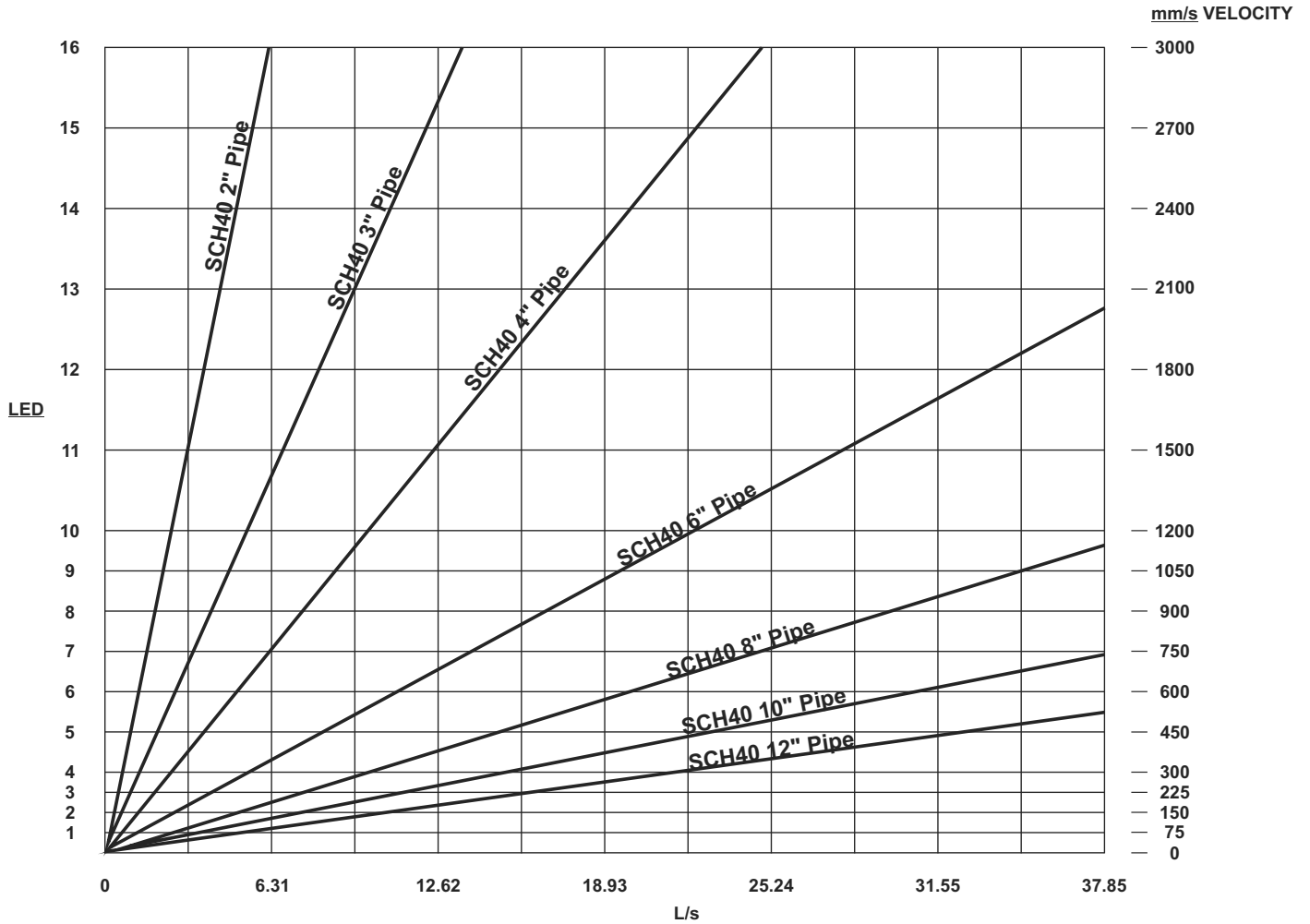


ADJUSTMENTS:

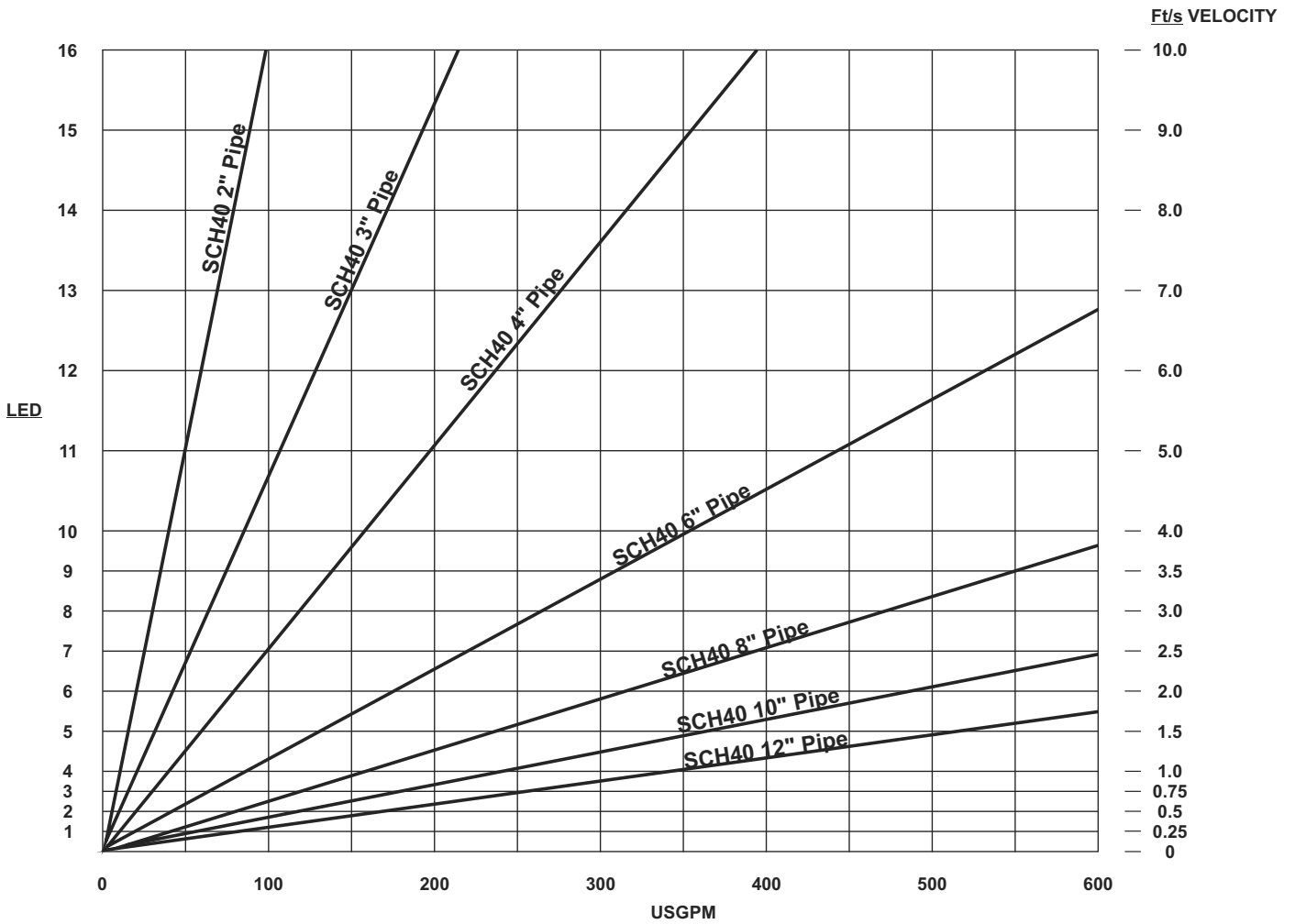
- Bar Graph Display The green LED's indicate flow velocity. The red LED indicates relay energized see chart for calibration.
- Relay Trip Point Insert shorting link at the flow rate indicated by the bar graph display. A second link can be inserted to provide a relay deadband.
- Alarm State Select high flow alarm or low flow alarm by inserting the shorting link.
- Relay Drop-out Delay Adjust delay in 5 second increments to prevent relay chatter on intermittent flow.



DFS 5.1 DOPPLER FLOW SWITCH CALIBRATION



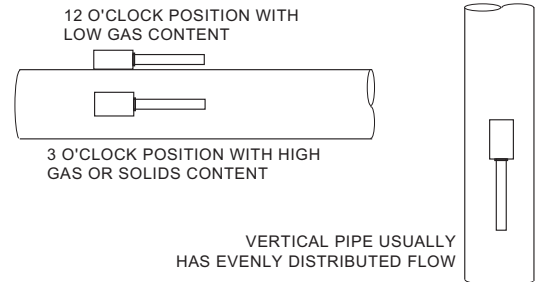
DFS 5.1 DOPPLER FLOW SWITCH CALIBRATION



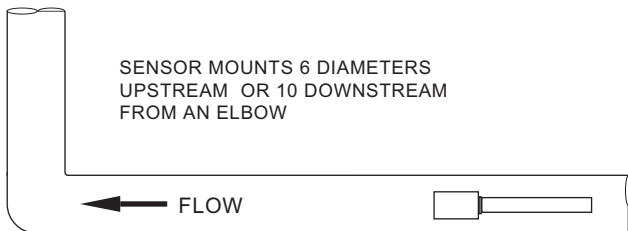
TRANSDUCER INSTALLATION

MOUNTING LOCATION - The position of the sensor is one of the most important considerations for reliable flow monitoring. The same location guidelines apply to Doppler as to most other types of flow switches.

VERTICAL OR HORIZONTAL PIPE - Vertical pipe runs generally provide evenly distributed flow conditions. On horizontal runs the sensor should be positioned at 3 or 9 o'clock to avoid concentrations of gas at the top of the pipe and solids on the bottom.



Generally the sensor must be mounted away from flow disturbances such as valves, pumps, orifice plates or venturis which tend to increase flow velocity or cause cavitation. Velocity increasing devices often cause cavitation and erratic operation. As a guideline, mount the sensor 20 diameters upstream and 30 diameters downstream from velocity increasing devices.



Turbulence Increasing Devices: Elbows, flanged connections and tees tend to introduce desirable conditions of an evenly distributed flow profile with some air or gases entrained in the flow. Sensor mounting *6 diameters upstream and 10 diameters downstream* from these disturbances is generally optimum.

The transducer is designed to mount longitudinally on a straight section of pipe. Do not attempt to mount it on bends, elbows or fittings. The DFS senses flow in either direction.

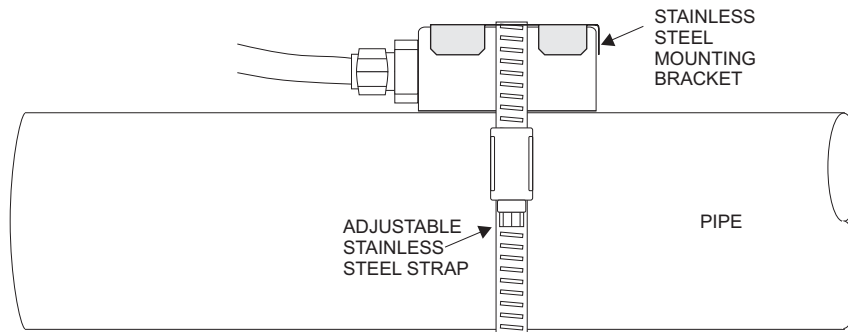
Prepare an area 2 inches wide by 3 inches long for transducer bonding by removing all paint, scale and rust. Thoroughly degrease the surface to which the transducer will be bonded. The objective of site preparation is to eliminate any discontinuity between the transducer and the pipe wall which would prevent acoustical coupling.

For semi permanent or temporary bonding, the following are recommended:

- Dow Corning silicon compound #4. (Greyline Part #CC)
- Electrocardiograph gel.
- Petroleum gel.

The above are arranged in their order of preferred application. B & C are suggested only for room temperature application. **DO NOT USE: Silicon RTV compound (silicon rubber).**

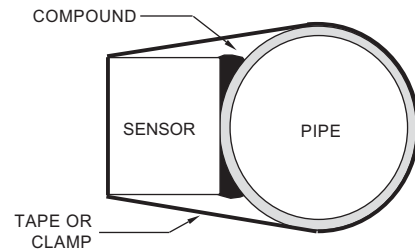
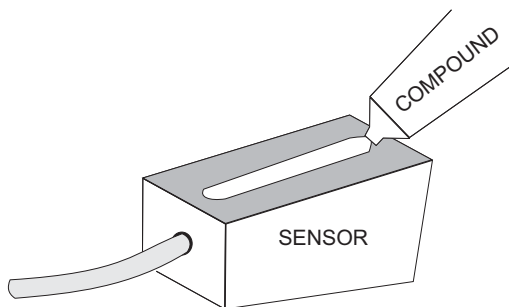
One PCK2 Pipe Clamp Kit is included with each Greyline DFS 5.1. It includes recommended silicone coupling compound in a plastic applicator, a stainless steel sensor bracket, and a stainless strap for pipe diameters up to 16" 406 mm. Additional pipe clamps (optional) may be attached for larger diameter pipes.



Thread the strap through the bracket and mount loosely on the pipe ready for Sensor coupling.

SENSOR COUPLING

Prepare a pipe clamp to secure the sensor. Apply coupling compound to the coloured face of the sensor. A bead (similar to toothpaste on a toothbrush) is ideal. Press the sensor on to the pipe and secure with the clamp. **DO NOT** over tighten.

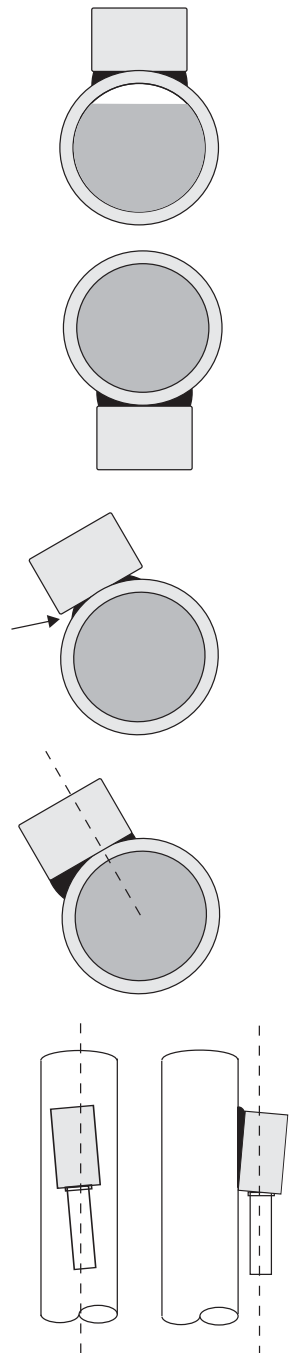


For proper operation the transducer must be fixed securely to the pipe with coupling material between the transducer face and the pipe. Sensor installation with excessive coupling compound or use of epoxy can result in gaps or voids in the coupling and cause errors or loss of signal. Insufficient coupling compound will create similar conditions.

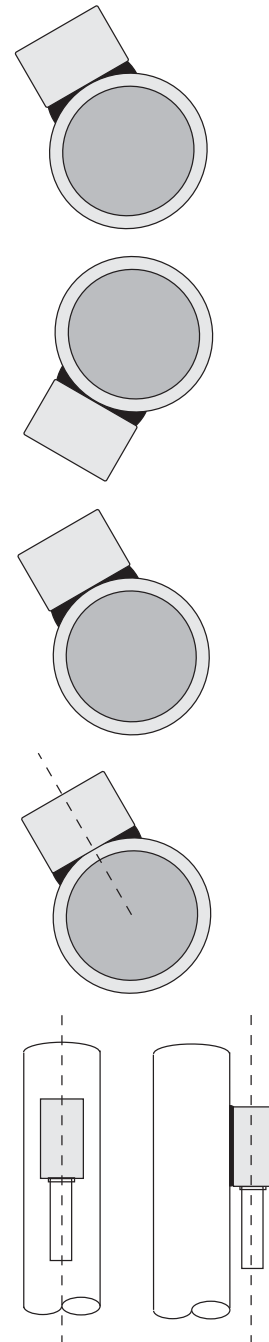
Over time temporary coupling compounds may gradually sag away from the sensor resulting in reduced signal strength and finally complete loss of signal. Warm temperatures, water and vibration will accelerate this process. Loss of Signal will be indicated by erratic performance of the DFS 5.1.

SENSOR COUPLING AND MOUNTING RECOMMENDATIONS

BAD



GOOD



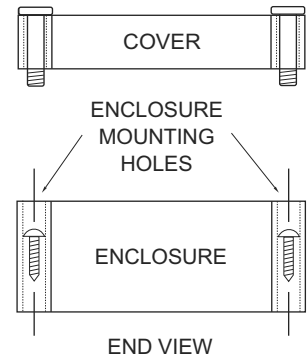
ENCLOSURE INSTALLATION

NEMA4X (IP66) WITH CLEAR COVER

LOCATION - Select a wall location within 20 ft (6 m) of the sensor mounting location. Sensor cable may be extended up to 500 ft (150 m) if enclosure installation is required at a remote location.

To protect the electronics from overheating and condensate build-up **DO NOT** mount the enclosure in direct sunlight. Avoid mounting on vibrating structures.

1. Remove enclosure cover.
2. Insert #6 screws and washers through the enclosure mounting holes to secure the enclosure to the wall or mounting stand.
3. Replace cover.



Note: This non metallic enclosure does not automatically provide grounding between conduit connections. Grounding must be provided as part of the installation. Ground in accordance with the requirements of the National Electrical Code. System grounding is provided by connecting grounding wires from all conduit entries to a steel mounting plate or another point which provides continuity.

PRINCIPLE OF OPERATION

Greyline Doppler flow instruments continuously inject sound into the flowing liquid and measure the change in frequency of any echoes received from suspended particles, air bubbles, etc. in the liquid.

The sound frequency of 640,000 wave-lengths/second travels through the liquid at 4,800 feet/second (for water). The 640,000 wave-lengths occupy 4,800 feet. If the target is moving away from the receiver, the same number of wave-lengths has to occupy a bigger distance and so each wave-length appears longer. The longer wave-length means fewer wave-lengths/second or a lower frequency. The reverse is true if the target moves towards the receiver; the distance is shortened, the wave-length appears shorter and the frequency higher.

The Doppler Flow Switch measures only the change in frequency and will read the same whether the flow is towards or away from the transducer.

APPLICATIONS BACKGROUND

PIPE MATERIAL - Porous materials such as concrete or pitted cast iron cause sound attenuation and Doppler performance may be erratic. Steel, aluminum, copper, PVC and other plastic pipes are generally ideal with minimal sound attenuation.

Avoid pipes with loose insertion liners where sound transmission may be broken by air gaps.

PIPE DIAMETER - The standard SE4 sensor is designed to mount on pipes 1/2 inch (12.5mm) I.D. or larger.

DEPOSITS - Scale or sediment deposits in older pipes can cause sound attenuation and reduce Doppler signal strength which is automatically compensated by the receiver circuits.

NOISE INTERFERENCE - The Doppler circuit is designed to lock onto the strong Doppler return signal and to ignore most external process noise. Marginal applications, where the liquid contains minimal solids or gases may be more sensitive to external noise.

ELECTRICAL INTERFERENCE - High voltage sources or DC motors in very close proximity to the Doppler sensor, cable or electronics, can interfere with the Doppler signal. Stray mains voltage (50 or 60 Hz) can occasionally be measured on conductive pipes and care should be taken to eliminate the problem at its source.

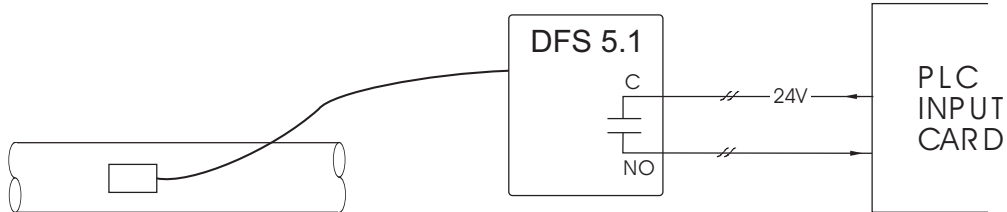
POWER LINE FLUCTUATIONS - Voltage variances of $\pm 10\%$ of the instrument's nominal input will not affect performance or accuracy.

FLUID TEMPERATURE - Within the sensor tolerances (-40° to 300°F / -40° to 150°C) the DFS 5.1 performance will not be affected. Higher or lower temperatures may damage or reduce the operating life of the sensor.

CALIBRATION DRIFT - The DFS 5.1 calibration does not drift over time. The solid state sensor has no moving parts to wear and affect calibration. The Doppler principle generates a digital signal proportional to the velocity of flow. All timing/counting circuits use crystal controlled references to eliminate any drift in the processing circuitry.

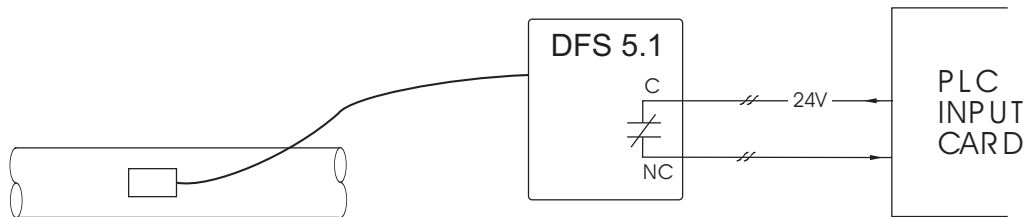
TYPICAL DFS 5.1 CONTROL APPLICATIONS

1. HI FLOW ALARM (Eg: Alarm if flow exceeds 8 ft/sec.)



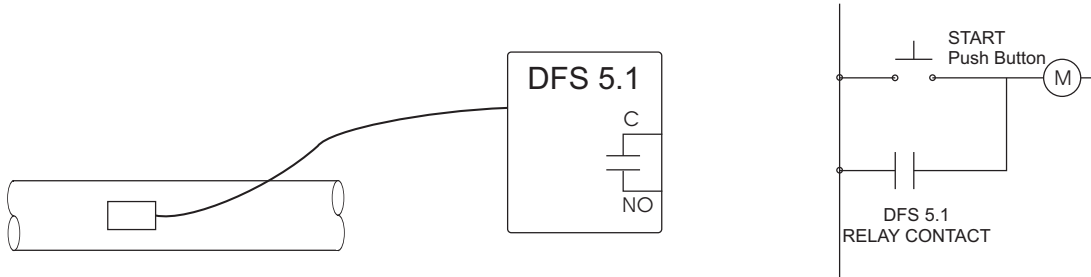
SETTINGS:
 NORMAL
 ON TRIP POINT = 14 LED
 OFF TRIP POINT = 13 LED
 DELAY = AS REQUIRED (TYPICAL ~ 10 SEC.)

2. HI FLOW ALARM WITH FAILSAFE: (Eg: Alarm if flow exceeds 5 ft/sec and if Power loss)



SETTINGS:
 FAILSAFE
 ON TRIP POINT = 11 LED
 OFF TRIP POINT = 10 LED
 DELAY = AS REQUIRED (TYPICAL ~ 10 SEC.)

3. PUMP PROTECTION CIRCUIT



SETTINGS:
 NORMAL
 ON TRIP POINT = 3 LED
 OFF TRIP POINT = 1 LED
 DELAY = AS REQUIRED (TYPICAL ~ 20 SEC.)



APPLICATIONS HOTLINE

For applications assistance, advice or information on any Greyline Instrument contact your Sales Representative, write to Greyline or phone the Applications Hotline below:

United States:	Tel: 315-788-9500	Fax: 315-764-0419
Canada:	Tel: 613-938-8956	Fax: 613-938-4857
Toll Free:	888-473-9546	
Email:	info@greyline.com	
Web Site:	http://www.greyline.com	

Greyline Instruments Inc.

Canada
16456 Sixsmith Drive
Long Sault, Ont. K0C 1P0

USA:
105 Water Street
Massena, NY 13662

PRODUCT RETURN PROCEDURE

Instruments may be returned to Greyline for service or warranty repair. Before shipping a product to the factory please contact Greyline by telephone or Fax to obtain an RMA number (Returned Merchandise Authorization). This ensures fast service and correct billing or credit.

When you contact Greyline please have the following information available:

1. Model number / Software Version
2. Serial number
3. Date of Purchase
4. Reason for return (description of fault or modification required)
5. Your name, company name, address and phone number

After obtaining an RMA number please ship the product to the appropriate address below:

*Canadian and International
Customers:*

Greyline Instruments Inc.
16456 Sixsmith Drive
Long Sault, Ont. K0C 1P0

RMA#

*USA
Customers:*

Greyline Instruments Inc.
204 150th Avenue
Madeira Beach, FL 33708

RMA#

LIMITED WARRANTY

Greyline Instruments warrants, to the original purchaser, its products to be free from defects in material and workmanship for a period of one year from date of invoice. Greyline will replace or repair, free of charge, any Greyline product if it has been proven to be defective within the warranty period. This warranty does not cover any expenses incurred in the removal and re-installation of the product.

If a product manufactured by Greyline should prove defective within the first year, return it freight prepaid to Greyline Instruments along with a copy of your invoice.

This warranty does not cover damages due to improper installation or handling, acts of nature, or unauthorized service. Modifications to or tampering with any part shall void this warranty. This warranty does not cover any equipment used in connection with the product or consequential damages due to a defect in the product.

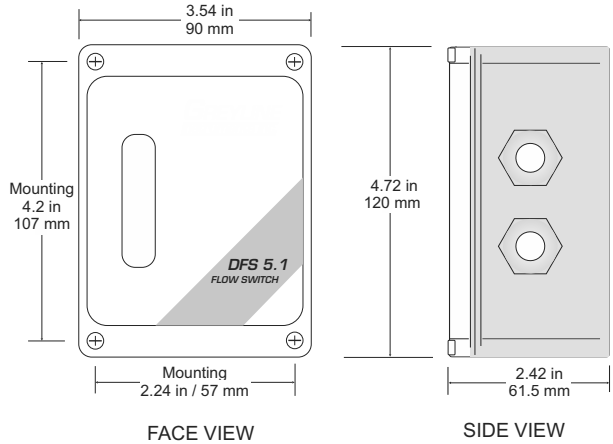
All implied warranties are limited to the duration of this warranty. This is the complete warranty by Greyline and no other warranty is valid against Greyline. Some states do not allow limitations on how long an implied warranty lasts or limitation of incidental or consequential damages, so the above limitations or exclusions may not apply to you.

This warranty gives you specific legal rights, and you may also have other rights which vary from state to state.

Greyline Instruments Inc.

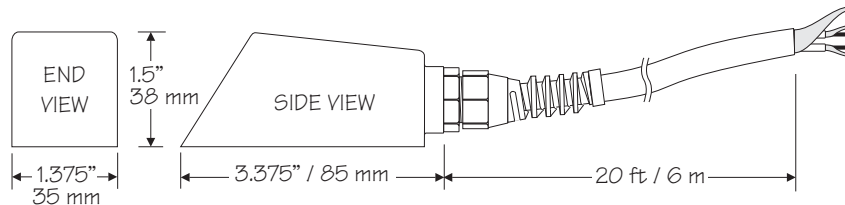
SPECIFICATIONS

- Sensor Mounting:** Silicone coupling compound, PCK stainless steel Pipe Clamp Kit for 0.5" / 12.5 mm OD pipes or larger
- Electronics Enclosure:** watertight, dust-tight NEMA4X (IP67) polycarbonate
- Output:** 1 Relay – 5 ampere DPDT
- Set Point:** On/Off adjustment 0.25 – 10 ft/sec (0.076 – 3 m/sec)
- Relay Time Delay:** adjustable, 0-60 seconds
- Failsafe Mode:** switch selectable
- Indication:** Relay and Signal strength LED's
- Sensitivity:** Automatic
- Power Input:** 100–240VAC 50-60Hz, (2.0 W max.)
Optional: 12–24VDC, (3.0 W max.)
- Surge Protection:** sensor, AC power input



STANDARD SENSOR SE4

- Minimum Pipe Diameter:** 0.5" (12.5 mm) ID, 0.6" (15 mm) OD
- Maximum Pipe Diameter:** 180" (4.5 m) ID
- Operating Temperature:** -40° to 300°F (-40° to 150°C)
- Operating Frequency:** 640 KHz
- Sensor Housing:** Stainless Steel
- Sensor Cable:** 20 ft. (6 m) shielded coaxial pair (RG174U)
Optional 50 ft (15 m) or 100 ft (30 m) continuous
- Submersion Rating:** Withstands accidental submersion pressure up to 10 psi (0.7 Bar)



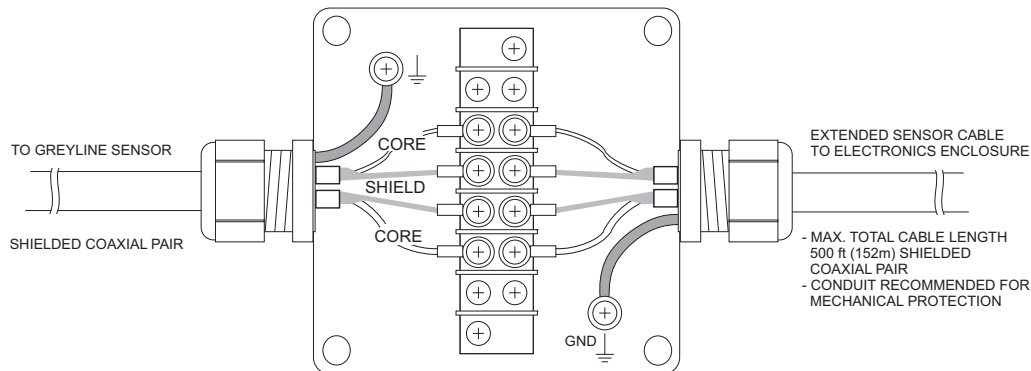
APPENDIX A - OPTIONS

EXTRA SENSOR CABLE

(OPTION DXC)

Each Greyline flow switch includes 20 ft. (6m) shielded coaxial pair cable. Additional cable and Cable Junction Box (Option JB2X) may be ordered with the Flow Switch, or the cable may be spliced and extended up to 500 ft (152m) as required during installation. No adjustment is required when the sensor cable is extended or shortened.

Use only Greyline shielded coaxial pair cable. Extended sensor cable can be installed in conduit for mechanical protection. Recommended installation with a JB2X junction box is illustrated below:



Note: Instead of Greyline Option DXC shielded coaxial pair, you may substitute RG174U coaxial cable from your local electrical cable distributor but this cable is not shielded so extended cable must be installed in metal conduit.

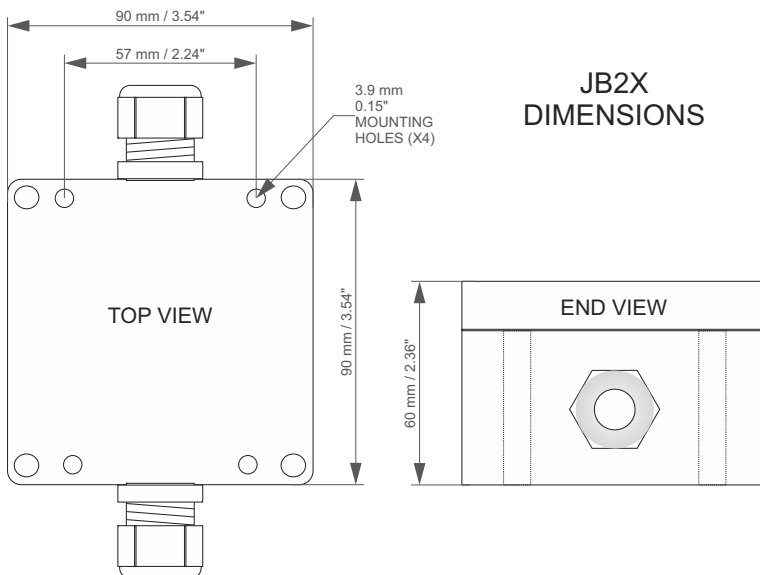
COAXIAL CABLE PREPARATION

DXC Doppler sensor cable can be cut and spliced up to a maximum length of 500 ft (152 m). Cable ends must be prepared as illustrated below.



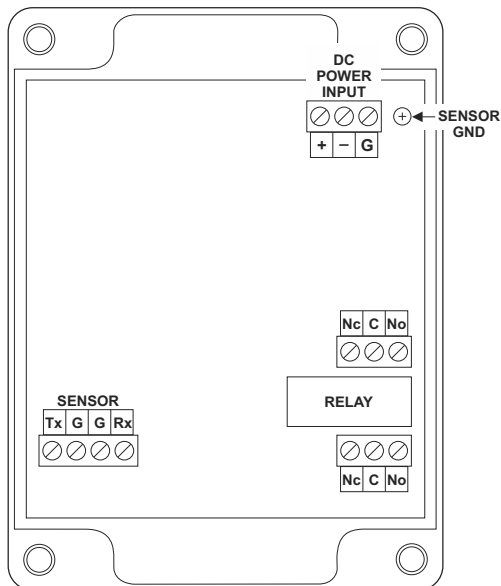
SENSOR CABLE JUNCTION BOX (OPTION JB2X)

Optional Watertight NEMA4 Junction Boxes with terminal strips are available from Greyline Instruments.



24VDC POWER INPUT (OPTION DC)

DFS 5.1 DC Flow Switches are factory configured for 12-24VDC power input.



APPENDIX B

FLOW VELOCITY CALCULATION

Flow velocity can be calculated from the following data.

<u>KNOWN FLOW</u>	<u>DIVIDED BY</u>	<u>VELOCITY</u>
U.S. gallons/sec.	0.0408 x (pipe I.D.) ²	= ft/sec
U.S. gallons/min.	2.448 x (pipe I.D.) ²	= ft/sec
Imp. gallons/sec	0.0340 x (pipe I.D.) ²	= ft/sec
Imp. gallons/min	2.040 x (pipe I.D.) ²	= ft/sec
Litres/sec	0.1545 x (pipe I.D.) ²	= ft/sec
Litres/min	9.270 x (pipe I.D.) ²	= ft/sec
Cubic metres/sec	0.0001545 x (pipe I.D.) ²	= ft/sec
Cubic metres/min	0.00927 x (pipe I.D.) ²	= ft/sec

EXAMPLE: 3" ID pipe

$$\text{Known Flow of 160 US gallons/min: } \frac{160}{2.448 \times (3)^2} = 7.26 \text{ ft/sec}$$

FLOW CHART

U.S. Gallons per Minute

Pipe	Velocity in Feet per Second									
ID in.	1.0	2.0	3.0	4.0	5.0	6.0	7.0	8.0	9.0	10.0
0.5	0.6	1.2	1.8	2.4	3.1	3.7	4.3	4.9	5.5	6.1
0.8	1.4	2.8	4.1	5.5	6.9	8.3	9.6	11.0	12.4	13.8
1.0	2.4	4.9	7.3	9.8	12.2	14.7	17.1	19.6	22.0	24.5
1.3	3.8	7.7	11.5	15.3	19.1	23.0	26.8	30.6	34.4	38.3
1.5	5.5	11.0	16.5	22.0	27.5	33.1	38.6	44.1	49.6	55.1
2.0	9.8	19.6	29.4	39.2	49.0	58.8	68.5	78.3	88.1	97.9
2.5	15.3	30.6	45.9	61.2	76.5	91.8	107.1	122.4	137.7	153.0
3.0	22.0	44.1	66.1	88.1	110.2	132.2	154.2	176.3	198.3	220.3
3.5	30.0	60.0	90.0	120.0	149.9	179.9	209.9	239.9	269.9	299.9
4.0	39.2	78.3	117.5	156.7	195.9	235.0	274.2	313.4	352.5	391.7
5.0	61.2	122.4	183.6	244.8	306.0	367.2	428.4	489.6	550.8	612.0
6.0	88.1	176.3	264.4	352.5	440.7	528.8	616.9	705.1	793.2	881.3
8.0	156.7	313.4	470.0	626.7	783.4	940.1	1096.8	1253.5	1410.1	1566.8
10.0	244.8	489.6	734.4	979.3	1224.1	1468.9	1713.7	1958.5	2203.3	2448.2
12.0	352.5	705.1	1057.6	1410.1	1762.7	2115.2	2467.7	2820.3	3172.8	3525.3
14.0	479.8	959.7	1439.5	1919.3	2399.2	2879.0	3358.9	3838.7	4318.5	4798.4
16.0	626.7	1253.5	1880.2	2509.9	3133.6	3760.4	4387.1	5013.8	5640.5	6267.3
18.0	793.2	1586.4	2379.6	3172.8	3966.0	4759.2	5552.4	6345.6	7138.8	7932.0
20.0	979.3	1958.5	2937.8	3917.0	4896.3	5875.6	6854.8	7834.1	8813.3	9792.6
24.0	1410.1	2820.3	4230.4	5640.5	7050.7	8460.8	9870.9	11281.1	12691.2	14101.3
30.0	2203.3	4406.7	6610.0	8813.3	11016.7	13220.0	15423.3	17626.7	19830.0	22033.4
36.0	3172.8	6345.6	9518.4	12691.2	15864.0	19036.8	22209.6	25382.4	28555.2	31728.0
42.0	4318.5	8637.1	12955.6	17274.1	21592.7	25911.2	30229.8	34548.3	38866.8	43185.4
48.0	5640.5	11281.1	16921.6	22562.2	28202.7	33843.2	39483.8	45124.3	50764.8	56405.4
Pipe	Velocity in Feet per Second									
ID in.	11.0	12.0	13.0	14.0	15.0	16.0	17.0	18.0	19.0	20.0
0.5	6.7	7.3	8.0	8.6	9.2	9.8	10.4	11.0	11.6	12.2
0.8	15.1	16.5	17.9	19.3	20.7	22.0	23.4	24.8	26.2	27.5
1.0	26.9	29.4	31.8	34.3	36.7	39.2	41.6	44.1	46.5	49.0
1.3	42.1	45.9	49.7	53.6	57.4	61.2	65.0	68.9	72.7	76.5
1.5	60.6	66.1	71.6	77.1	82.6	88.1	93.6	99.2	104.7	110.2
2.0	107.7	117.5	127.3	137.1	146.9	156.7	166.5	176.3	186.1	195.9
2.5	168.3	183.6	198.9	214.2	229.5	244.8	260.1	275.4	290.7	306.0
3.0	242.4	264.4	286.4	308.5	330.5	352.5	374.6	396.6	418.6	440.7
3.5	329.9	359.9	389.9	419.9	449.8	479.8	509.8	539.8	569.8	599.8
4.0	430.9	470.0	509.2	548.4	587.6	626.7	665.9	705.1	744.2	783.4
5.0	673.2	734.4	795.6	856.9	918.1	979.3	1040.5	1101.7	1162.9	1224.1
6.0	969.5	1057.6	1145.7	1233.9	1322.0	1410.1	1498.3	1586.4	1674.5	1762.7
8.0	1723.5	1880.2	2036.9	2193.5	2350.2	2506.9	2663.6	2820.3	2977.0	3133.6
10.0	2693.0	2937.8	3182.6	3427.4	3672.2	3917.0	4161.9	4406.7	4651.5	4896.3
12.0	3877.9	4230.4	4582.9	4935.5	5288.0	5640.5	5993.1	6345.6	6698.1	7050.7
14.0	5278.2	5758.0	6237.9	6717.7	7197.6	7677.4	8157.2	8637.1	9116.9	9596.7
16.0	6894.0	7520.7	8147.4	8774.2	9400.9	10027.6	10654.3	11281.1	11907.8	12534.5
18.0	8725.2	9518.4	10311.6	11104.8	11898.0	12691.2	13484.4	14277.6	15070.8	15864.0
20.0	10771.9	11751.1	12730.4	13709.6	14688.9	15668.2	16647.4	17626.7	18605.9	19585.2
24.0	15511.5	16921.6	18331.7	19741.9	21152.0	22562.2	23972.3	25382.4	26792.6	28202.7
30.0	24236.7	26440.0	28643.4	30846.7	33050.0	35253.4	37456.7	39660.0	41863.4	44066.7
36.0	34900.8	38073.6	41246.4	44419.2	47592.0	50764.8	53937.6	57110.4	60283.2	63456.0
42.0	47503.9	51822.4	56141.0	60459.5	64778.0	69096.6	73415.1	77733.7	82052.2	86370.7
48.0	62045.9	67686.5	73327.0	78967.5	84608.1	90248.6	95889.1	101529.7	107170.2	112810.8